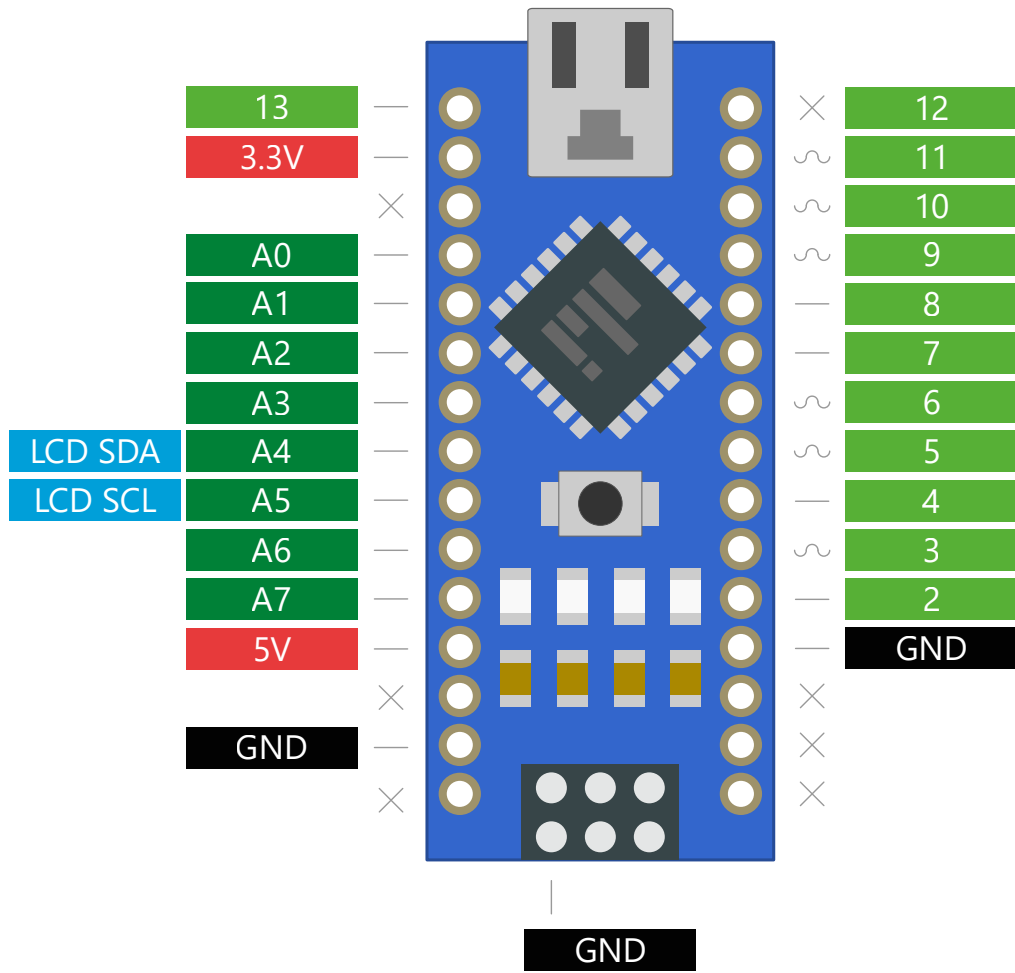




Simplified Arduino Nano pinout for MobiFlight



- Power
- Ground
- Input / Output pin
- Analog capable pin
- LCD display pins
- PWM capable pin
- Pin is not used in MobiFlight